

Instructions for K-661005 Kit, Side Broom Relay for Armadillo 6X and AM7D



INSTRUCTIONS FOR: K-661005 - KIT, SIDE BROOM RELAY REPLACEMENT

Purpose:

This kit was developed to replace the two existing Side Broom Relays (#3318859) on your machine with one relay (#748961).

Contents of Kit include:

BOM: Verify items 1-5 are in your Kit, and items A-C will be removed the machine.

BILL OF MATERIAL			
ITEM	PART NO.	QTY	DESCRIPTION
1	661005	1	ADAPTER PLATE ASSY - AM7D RELAY
2	748961	1	RELAY, DPDT 12VDC 35A
3	711372	2	NUT-NYLOC 8-32
4	748437	1	WIRE HARNESS, RELAY AM7D
5	999067	1	KIT INSTR FOR K-661005, SIDE BROOM RELAY
A	3400298	4	SCR-PAN, #6-32X.50, SLT ZP (REUSE - ON CURRENT ASSY)
B	3400492	4	NUT-#6-32 ELASTIC STOP (REUSE - ON CURRENT ASSY)
C	3318859	2	RELAY-12 VDC SPDT (DISCARD - ON CURRENT ASSY)

Instructions:

Note: Turn off engine when following the Instruction Steps below.

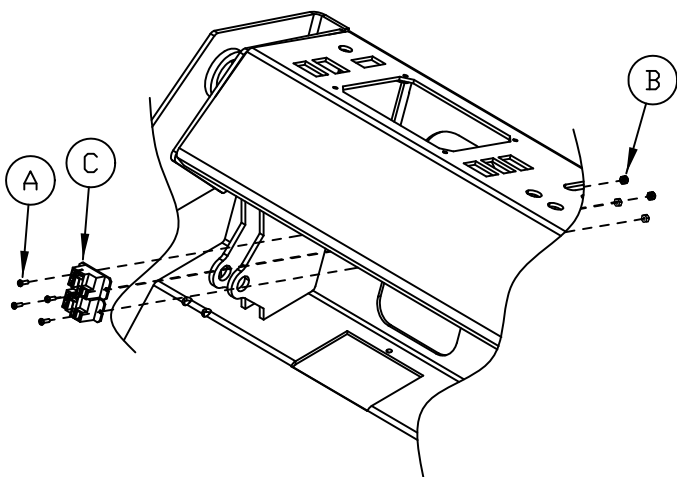
Step 1: Remove items A, B, & C. (See Fig. 1)

Step 2: Remove machine wire harness/connectors from Relays (Items C).

Step 3: Assemble Adapter Plate (Item 1) to the machine using 4 Screws (Item A) and 4 Nuts (Item B). (See Fig. 2)

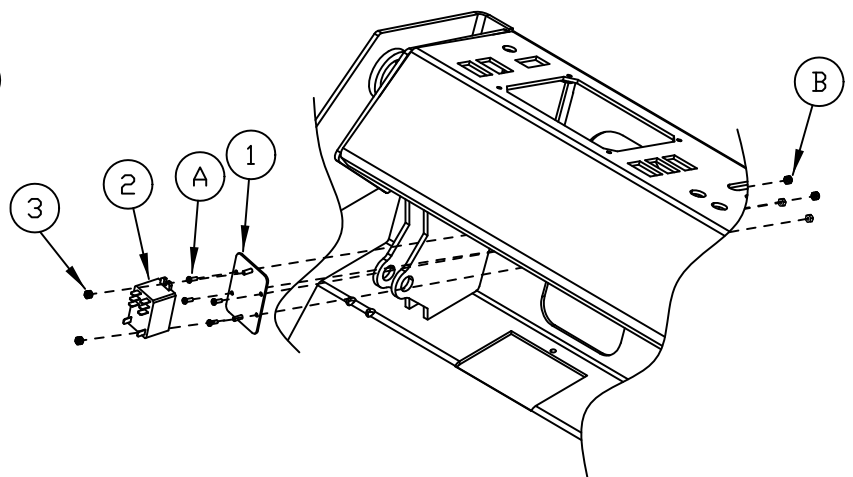
Step 4: Assemble Relay (Item 2) to the Adapter Plate using 2 Nuts (Item 3). (See Fig. 2)

Step 5: Connect machine wire harness/connectors to assemble Relay (Item 2). Reference wire/terminal connection chart and illustration. (See Fig. 3)



REMOVING OLD RELAYS

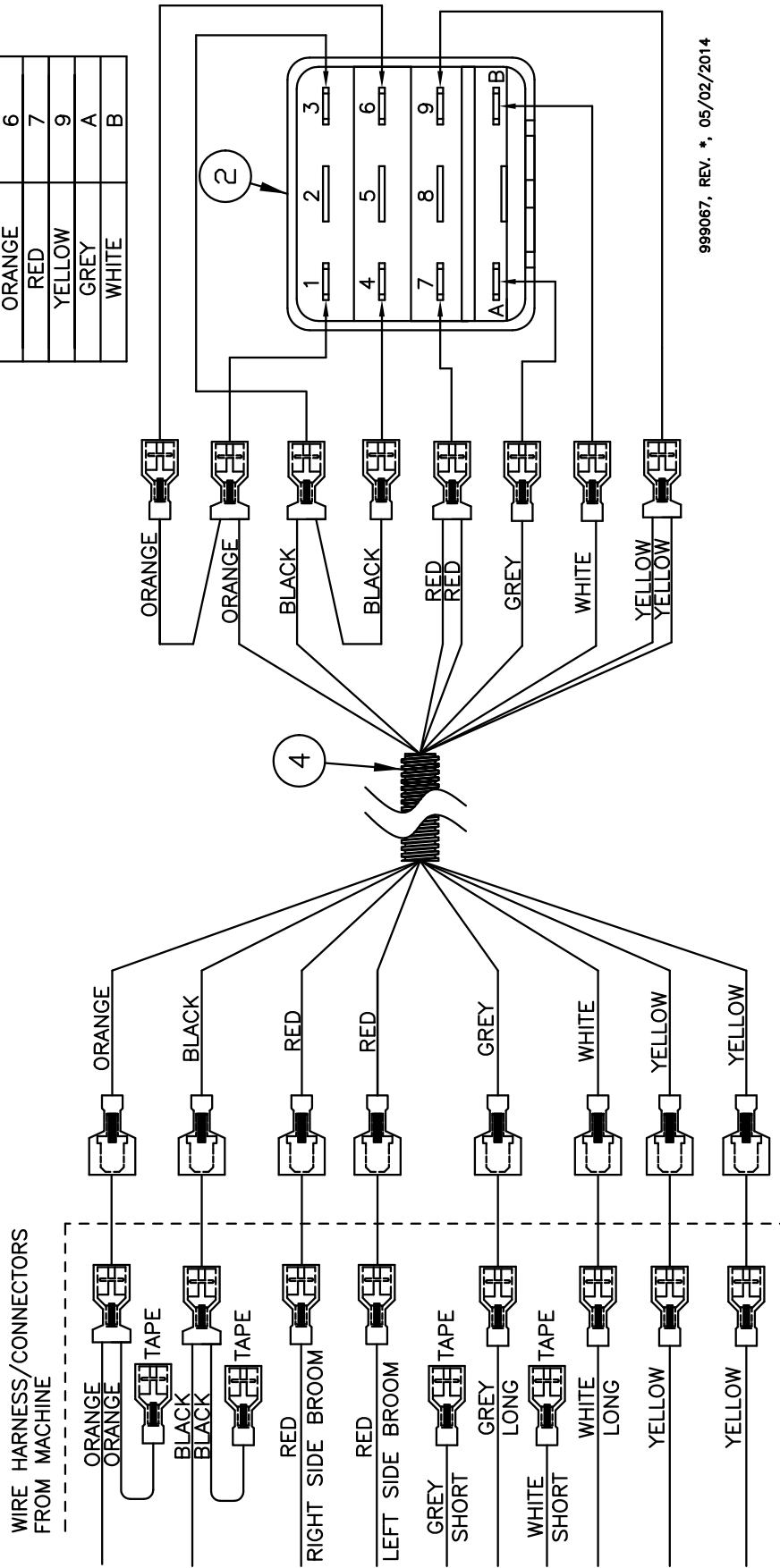
Fig. 1



ADDING NEW RELAY

Fig. 2

WIRING CONNECTIONS FROM HARNESS TO RELAY	
WIRE COLOR	TERMINAL
ORANGE	1
BLACK	3
BLACK	4
ORANGE	6
RED	7
YELLOW	9
GREY	A
WHITE	B



999067, REV. *, 05/02/2014

Fig. 3

MACHINE WIRE HARNESS AND RELAY CONNECTIONS

Fig. 3



“The Power of Clean”

PowerBoss Is A Full Line Manufacturer Of Sweepers and Scrubbers For Industrial Facilities.

PowerBoss®, Minuteman International, Inc. 14N845 U.S. Route 20 Pingree Grove, IL 60140

Phone: 800-3239420 www.PowerBoss.com e-mail: tech@powerboss.com

A Member Of The Hako Group